



Installation Instructions

Paging on all general signaling speakers must be overridden when fire alarm is active, in accordance with NFPA 72, so as not to interfere with the speaker's fire alarm operation.

The Fire Signaling Speaker and the Paging Speaker MUST NOT be interconnected.

APPLICATION	Intended Use: Program Material: Installation:	FIRE SIGNALING SPEAKER: Fire Alarm Only PAGING SPEAKER: General Signaling Only Signal tones and voice Fits into a 2' x 2' or 2' x 4' ceiling tile grid
--------------------	--	---

CERTIFICATION	<u>FIRE SIGNALING SPEAKER</u> UL Listed 1480 UL Listed 2043: ASTM E84: CSFM Certified #7320-2288:0500: <u>PAGING SPEAKER</u> UL Listed 1480A (Type G): UL Listed 2043:	When installed per supplied installation instructions and requirements of NEC/AHJ Suitable for use in air-handling spaces. Material and construction permits use where ceiling plenum is part of the air handling system Includes integral backbox that meets/exceeds flame and smoke test w/ 3hr. burn rating Listed as speakers for use with separately listed compatible fire alarm control units When installed per supplied installation instructions and requirements of NEC/AHJ Suitable for use in air-handling spaces. Material and construction permits use where ceiling plenum is part of the air handling system
----------------------	---	--

INSTALLATION INSTRUCTIONS

- Cut ceiling tile as required:
2' x 2' tile – No cutting required
2' x 4' tile – Cut tile in half on 4' side
- Install a 24" T-bar trim piece where required (not supplied).

Required only if using conduit clamp fitting **other than what is provided with product.**

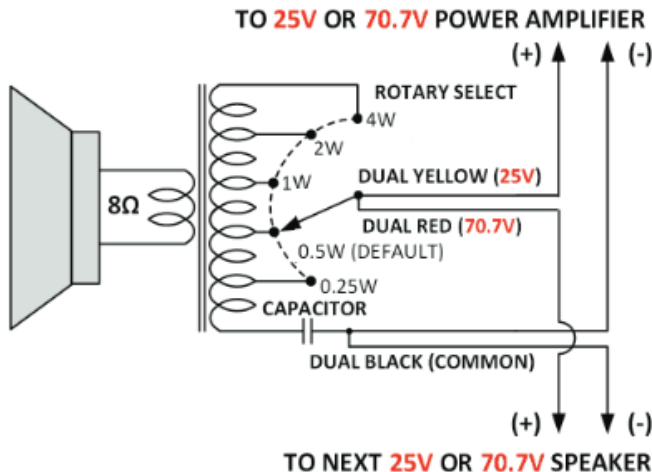
- Loosen, but do not remove screws** on cover plate; slide plate to large keyhole position and lift plate from assembly.
- Remove cable/conduit clamp fitting from cover plate;** Install UL Listed metallic enclosure entry fitting for plenum cable or flex whip.
- Feed supply cable through whip to speaker wires.** Make connections per wiring diagram; Use appropriate connectors to meet any required codes.
- Replace cover plate and tighten cover plate screws. When cover plate is secured, all connections/splices must be inside of the enclosure.

3A. **FIRE SIGNALING SPEAKER -** Make the following field wiring connections:

- Connect one common (BLACK) wire from the Fire Signaling Speaker to the existing field wiring common wire. Use the second common (BLACK) wire from the Fire Signaling Speaker to the next speaker common wire.
- In 25 Volt systems, connect the positive (YELLOW) wire from the Fire Signaling Speaker to existing field wiring positive wire. Use the second positive (YELLOW) wire from the Fire Signaling Speaker to the next speaker positive wire.

In 70 Volt systems, connect the positive (RED) wire from the Fire Signaling Speaker to existing field wiring positive wire. Use the second positive (RED) wire from the Fire Signaling Speaker to the next speaker positive wire.

Voltage (VRMS)	Tap (Watts)	OSPL (dBA)
25	0.25	74.5
25	0.5	77.3
25	1	80.3
25	2	83.1
25	4	85.5
70.7	0.25	75.0
70.7	0.5	77.7
70.7	1	80.5
70.7	2	83.4
70.7	4	86.0

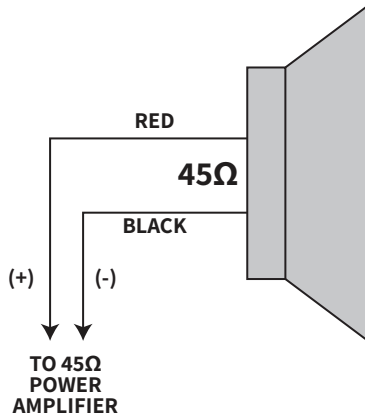


IMPORTANT:

- Be sure to insulate all unused wires from each other, the enclosure, and electrical ground.
- Use code compliant connectors for all field wiring connections.
- Verify all code requirements with local AHJ before selecting connection method.
- Do not modify factory applied finish.
- Line supervision voltage must not exceed 150V



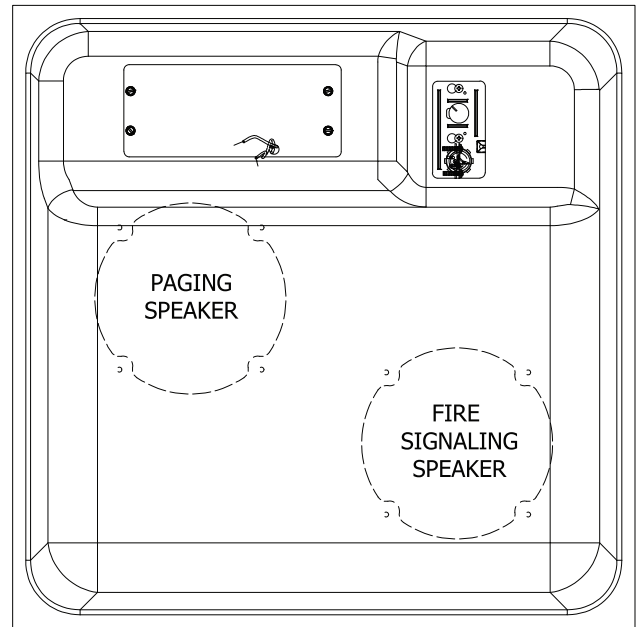
3B. **PAGING SPEAKER** - Make the following field wiring connections:



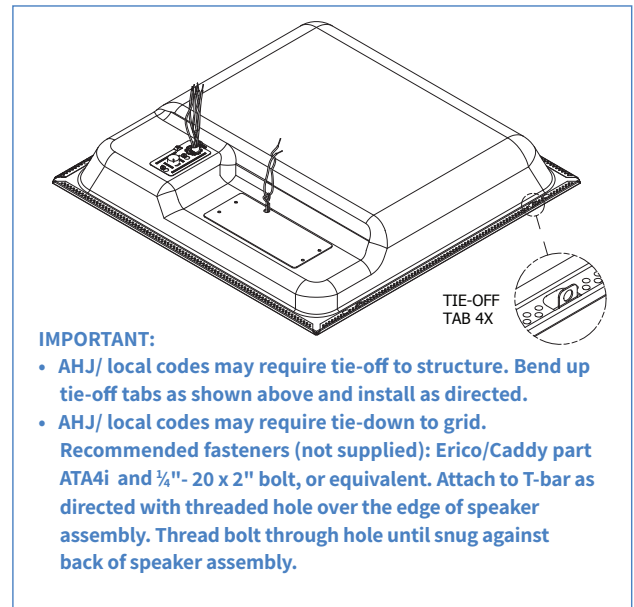
- Connect the positive (red) wire from the Paging Speaker to the positive lead from the field wiring.
- Connect the negative (black) wire from the Paging Speaker to the negative lead from the field wiring. All connections/splices must be inside of the enclosure.
- Tighten screws on cable clamp.
- (optional) Mount an end-user supplied device on the included plate and connect to the provided wires. **NOTE: End-user supplied devices mounted to mounting plate must also be UL 2043-approved for air handling (plenum) spaces.**

IMPORTANT:

- Verify all code requirements with local AHJ before selecting connection method.
- Using code compliant connectors for all field wiring.
- The UL listing(s) for this product do not include any additional devices. Any device (IP or otherwise) attached to the paging speaker **MUST** have its own compatible UL listing.



- Place assembly onto ceiling grid, install 24" T-bar trim piece where required (not supplied).



IMPORTANT:

- AHJ/ local codes may require tie-off to structure. **Band up tie-off tabs as shown above and install as directed.**
- AHJ/ local codes may require tie-down to grid. **Recommended fasteners (not supplied): Erico/Caddy part ATA4i and ¼" - 20 x 2" bolt, or equivalent. Attach to T-bar as directed with threaded hole over the edge of speaker assembly. Thread bolt through hole until snug against back of speaker assembly.**

- Place remaining ceiling tile into grid opening as required.